

7000 SERIES PATCH CORDS AND CONNECTORS

AFS Connectors and Patch cords are used in telecommunication, fiber to the home, fiber optic sensors, testing instruments, CATV etc.

FEATURES

Low Insertion Loss

High Return Loss

Easy to Handle

Customer Defined Specifications

Environmentally Stable

Compliance GR-326-CORE

Low insertion loss and high return loss by using superior quality ferrules.

Insertion Loss <.15 dB

Polish type	Return Loss (>=)
PC	45 dB
UPC	55 dB
APC	65 dB
E2000 APC	85 dB

Every patch cord is tested for both insertion loss and return loss at the factory

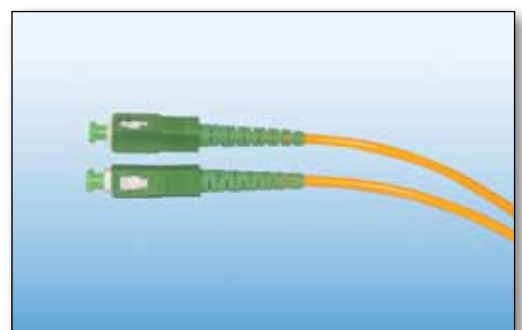
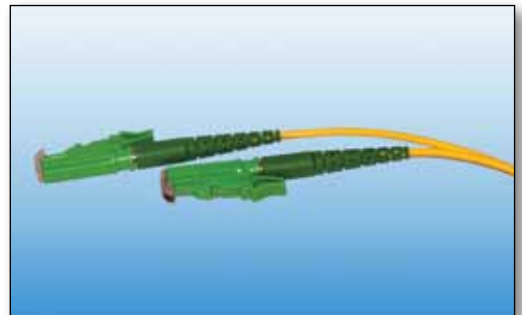
VALUE BENEFITS

Quick on time delivery

The products have a consistent overall finish

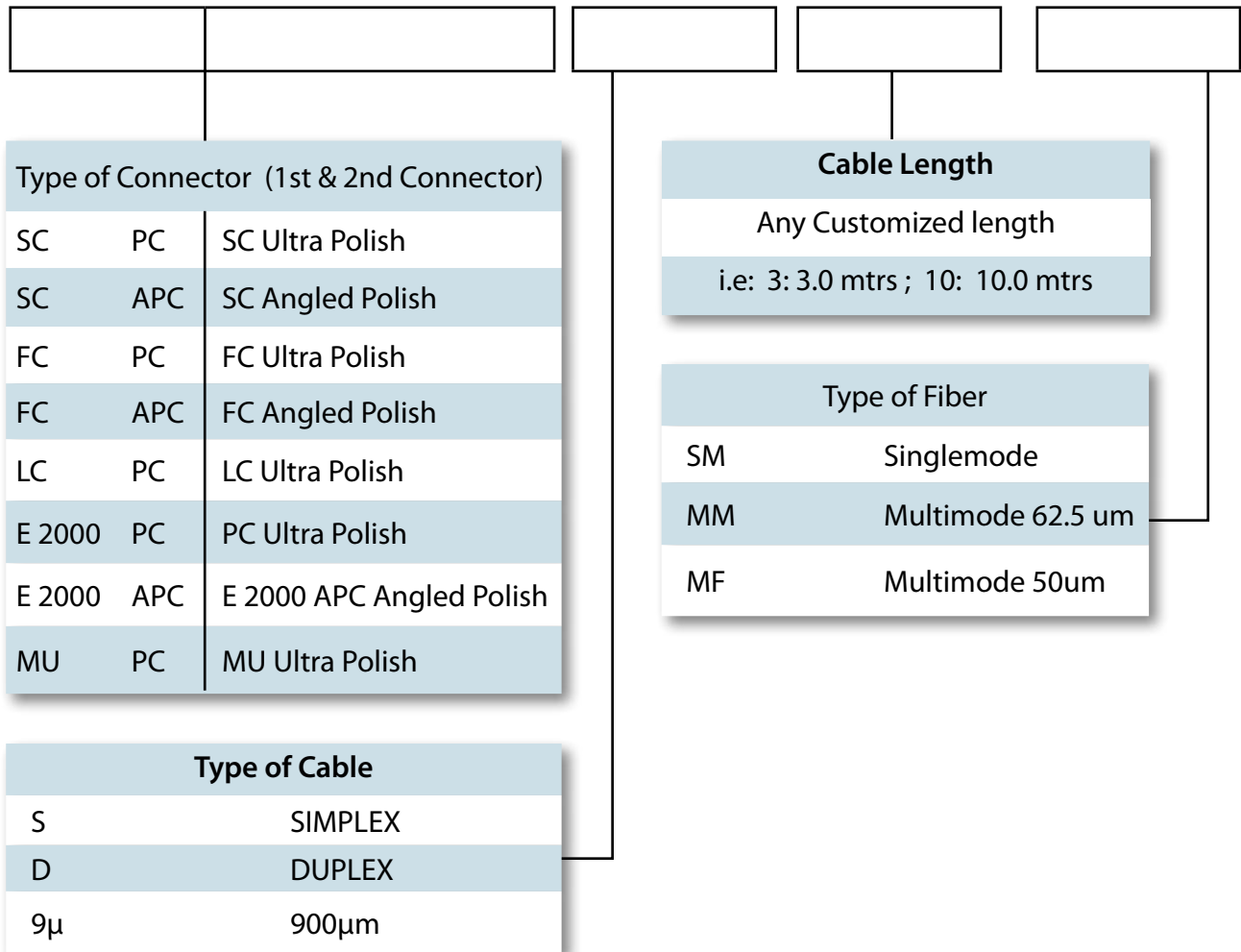
Tuning ferrule process ensures low insertion loss

High level of spectral connector attenuation tuning ensures data loss prevention.



ORDER INFORMATION

How to Order



Customer Support

AFS is committed to deliver high quality products as per customer needs. We have a dedicated customer support team with quick response time.



Advanced Fiber Systems Pvt. Ltd.

No. 137/2, Service Road,

Outer Ring Road, Banaswadi,

Kalyan Nagar Post, Bangalore-560 043

Phone: +91 80 25459439

Email: sales@afspl.com

www.afspl.com